



INSTRUCTIONS

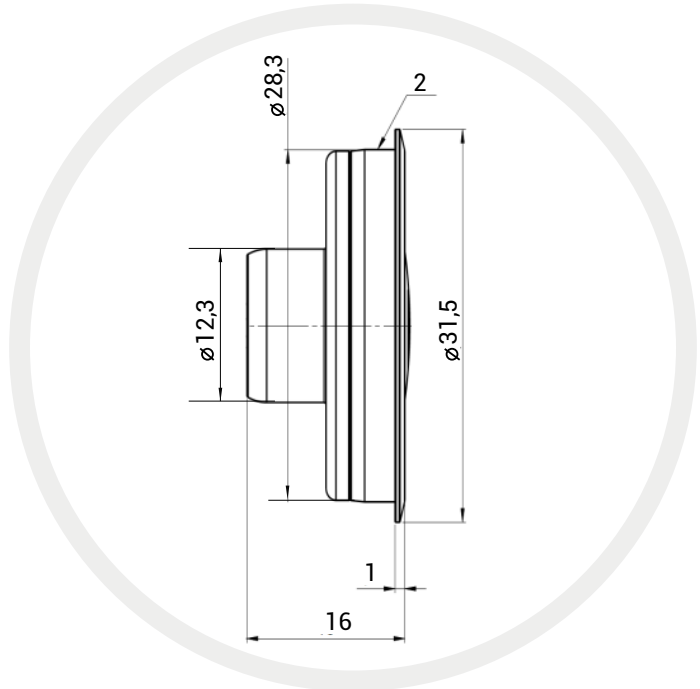
for the assembly and configuration
of the power supply switch

CRGB V1 Switch
CRGB V2 Switch

www.alexLPG.com
www.autogas-alex.com

ALEX
PROFESSIONAL AUTOGAS INSTALLATIONS

● **CRGB V1 Switch**
(type: recessed)



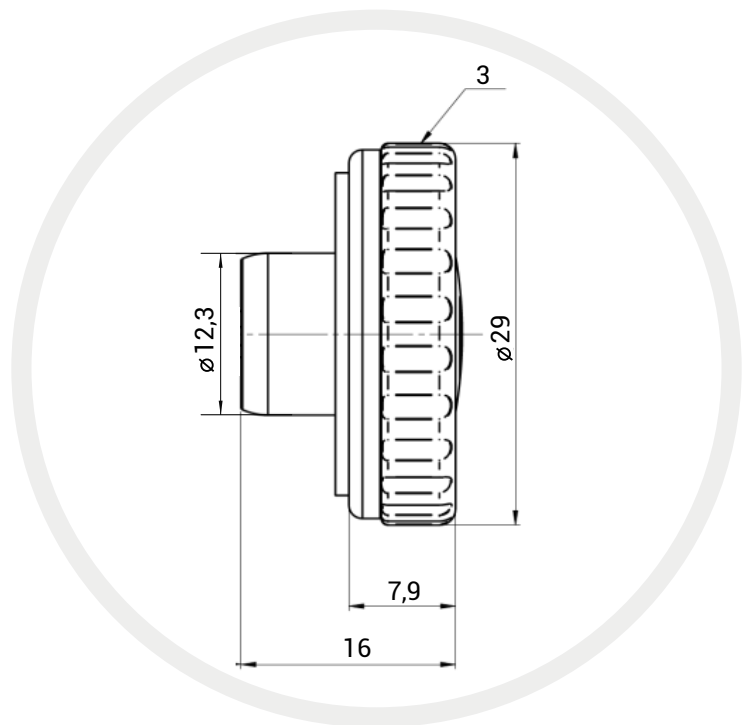
CRGB V1 dimensions

When installing the recessed version switch, in the recessed version switch, we recommend using a 27 mm hole saw or drill bit. The target hole should be min. 28.3 mm, but no more than 29 mm, so that the edge of the aluminum housing aesthetically covers the mounting hole.

Installation example



● **CRGB V2 Switch**
(type: convex)



CRGB V2 dimensions

When installing the convex version switch, we recommend using a 12 mm hole saw or drill bit.

For aesthetic and stable seating of the gas switch, we recommend using the double-sided adhesive tape included in the kit.

Installation example



CRGB power supply switch settings

The switch is compatible with all **ALEX OPTIMA controllers (PICO, nano, EXPERT) and ALEX IDEA.**

The default color scheme can be changed in the gas level sensor calibration options:

- a) Color adjustment,
- b) Colors in the RGB palette,
- c) Defined schemes.

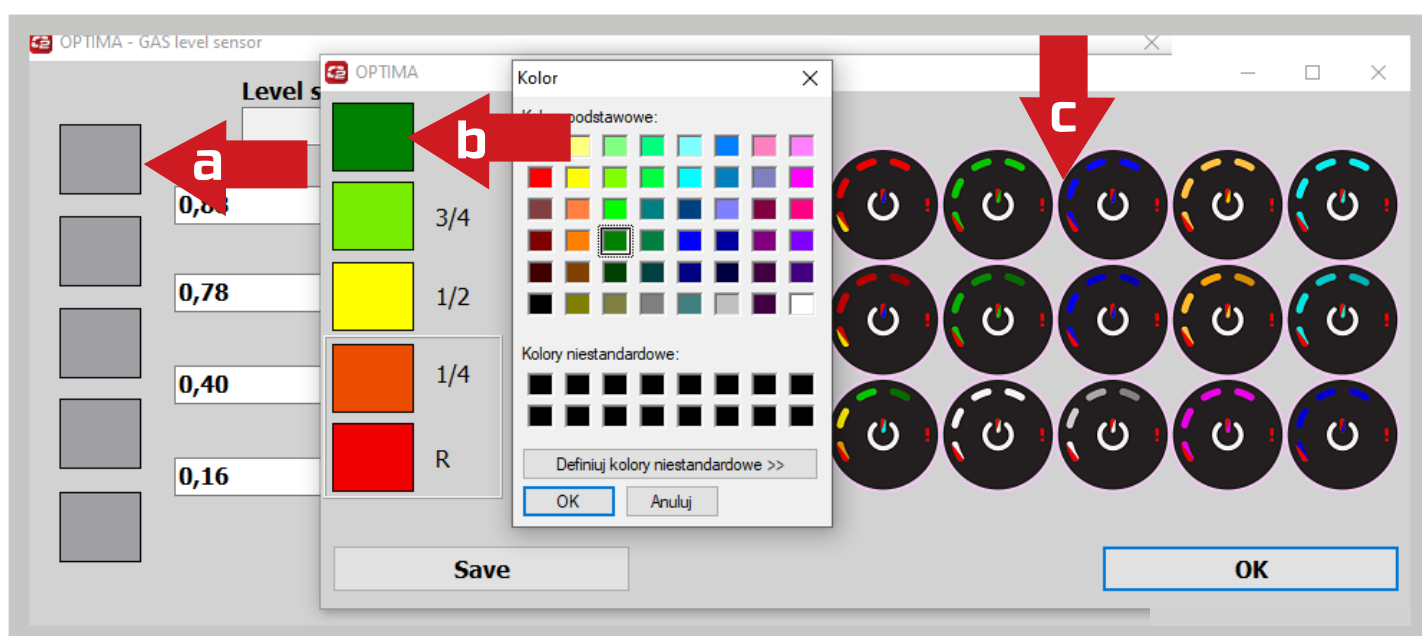
There is also the possibility of adjusting the brightness level.

Configuration of the color scheme is available in **OPTIMA 2 program from version 2.11**

<https://autogas-alex.com/en/download/software/>

Tutorial video: RGB switch - assembly, settings, color change

<https://youtu.be/BLMAAUq8QEc>



NOTE:

CRGB switch works with OPTIMA controllers from firmware version V11 and software version from 2.11.

If a CRGB switch is connected instead of the previous version, it works in the default color scheme.

